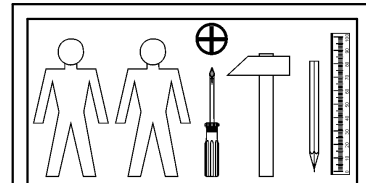
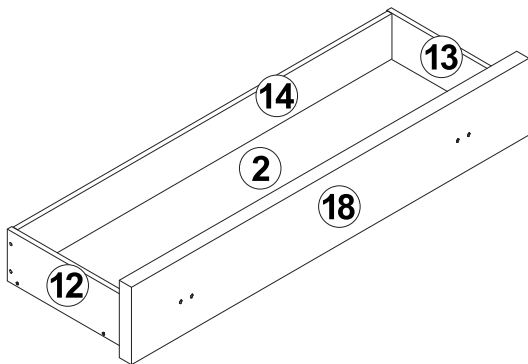
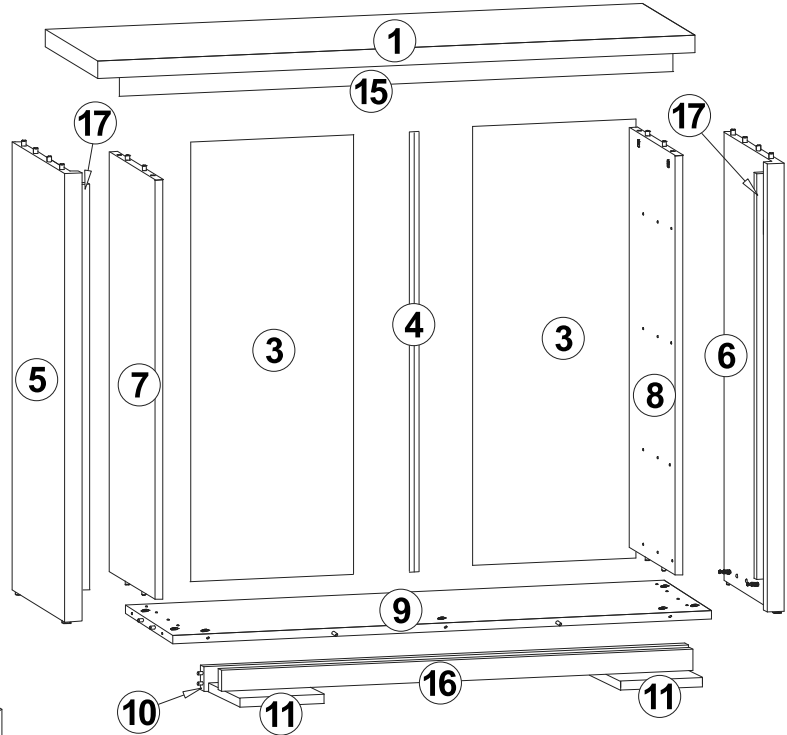
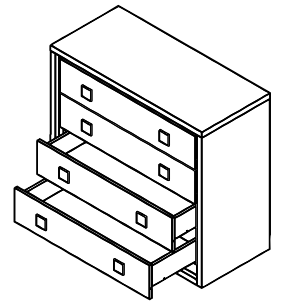


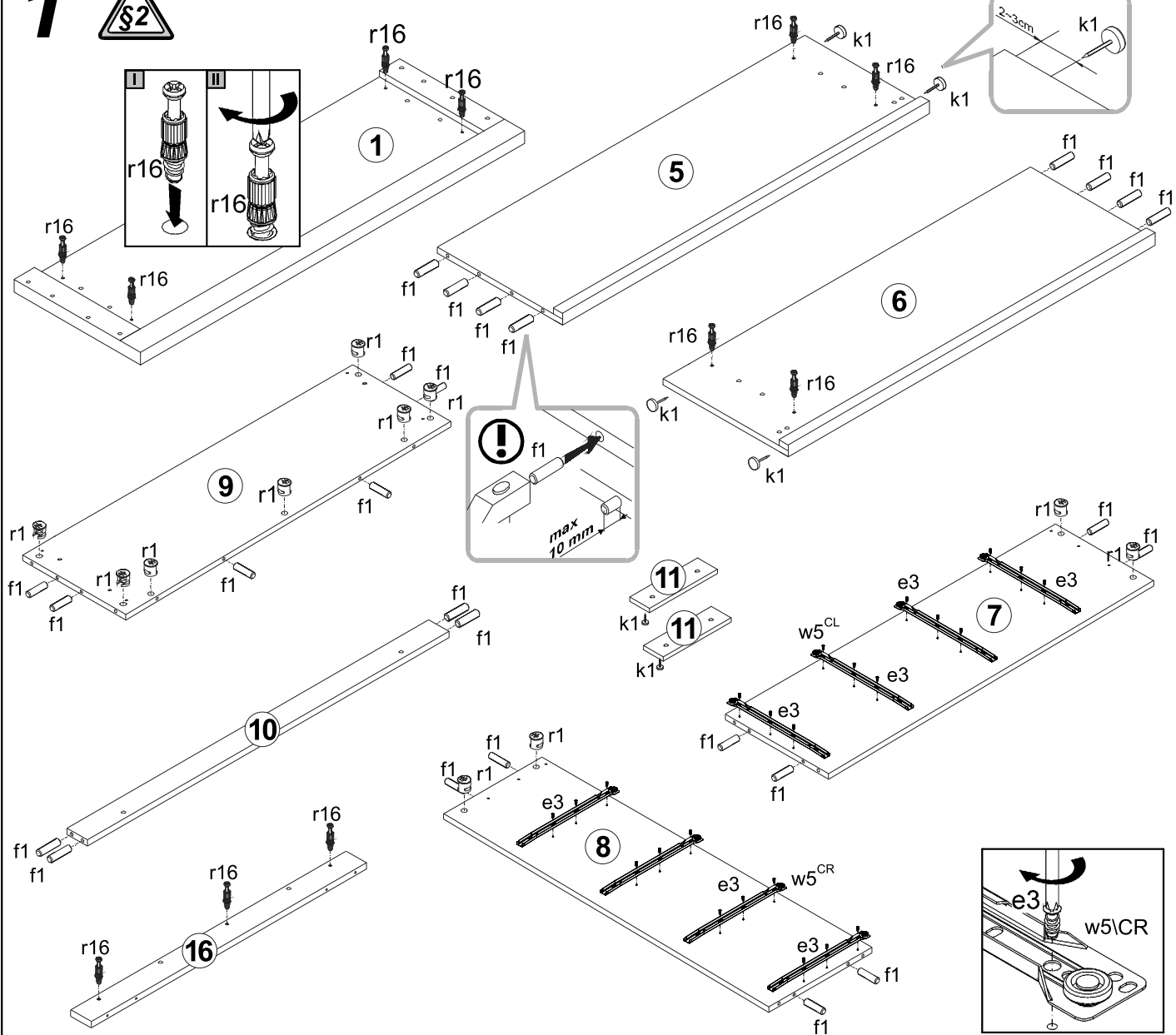


A	B	C		D
1	NK1-203	1000	451	1/3
2	NK1-902	835	400	1/3
3	NK1-903	813	497	1/3
4	LH-785	785		1/3
5	NK1-106	862	450	2/3
6	NK1-108	862	450	2/3
7	NK1-110	785	409	2/3
8	NK1-111	785	409	2/3
9	NK1-304	967	409	2/3
10	NK1-409	967	76	2/3
11	NK1-503	219	65	2/3
12	NK1-504	400	120	2/3
13	NK1-505	400	120	2/3
14	NK1-506	820	120	2/3
15	NK1-410	939	57	2/3
16	NK1-411	967	60	2/3
17	NK1-412	726	45	2/3
18	NK1-003	891	194	3/3

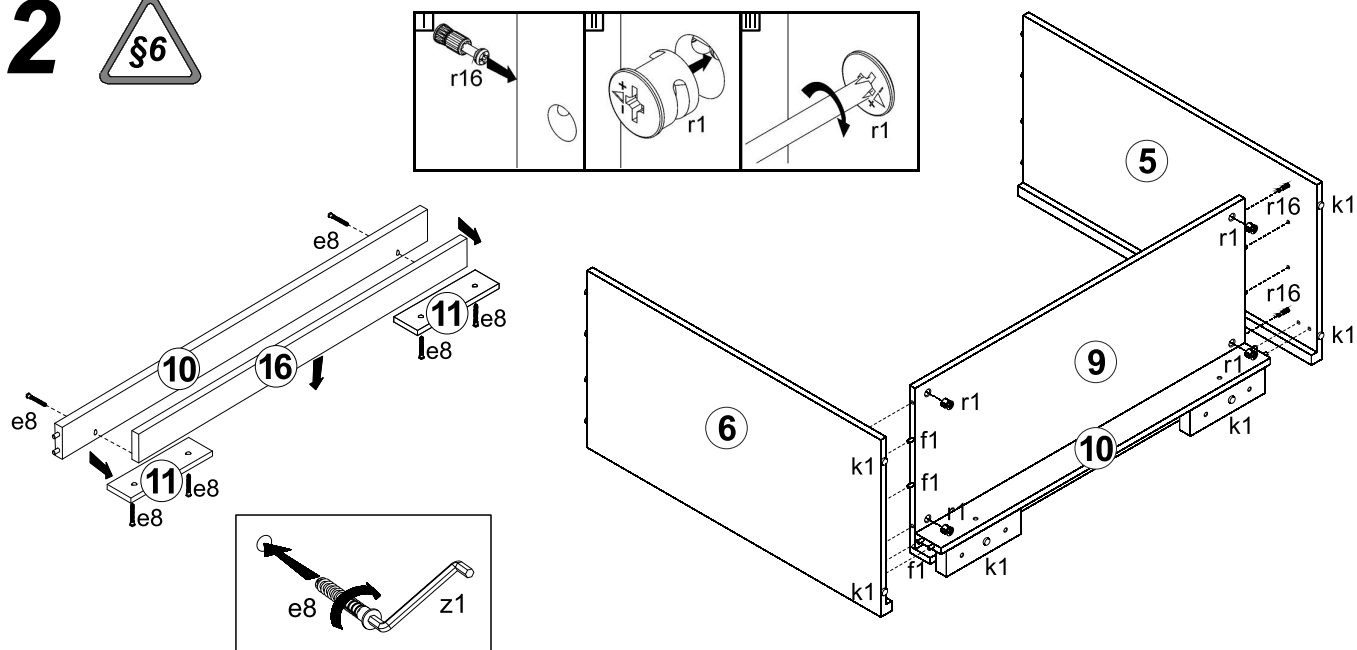
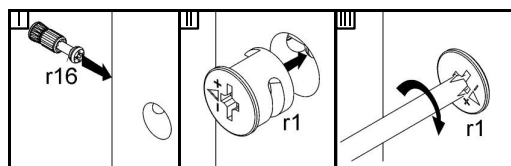


4x φ7x50 mm <b>e1</b>	6x φ7x60 mm <b>e8</b>	16x φ5x50 mm <b>e32</b>	26x φ8x30 mm <b>f1</b>	24x φ6x13 mm <b>e3</b>	10x φ4x35 mm <b>p6</b>
16x φ3x12 mm <b>p54</b>	4x 400 mm <b>w5<sup>DR</sup></b>	8x φ3,5x16 mm <b>p25</b>	27x 20/9 <b>r16</b>	27x φ15x12mm #16 <b>r1</b>	20x φ16 <b>s2</b>
4x 383 mm <b>t14</b>	45x <b>l1</b>	4x 400 mm <b>w5<sup>CR</sup></b>	4x 400 mm <b>w5<sup>DL</sup></b>	4x 400 mm <b>w5<sup>CL</sup></b>	6x <b>k1</b>
1x <b>z1</b>	8x 160 mm <b>c212</b>	16x M4x25 mm <b>j8</b>			

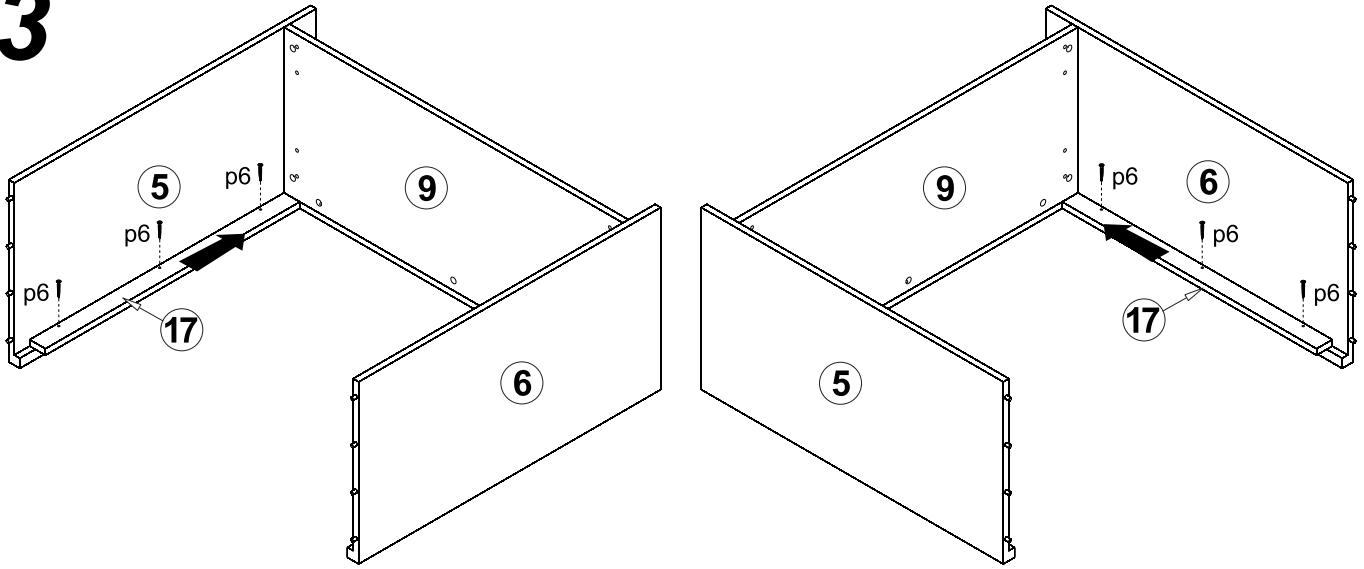
# 1



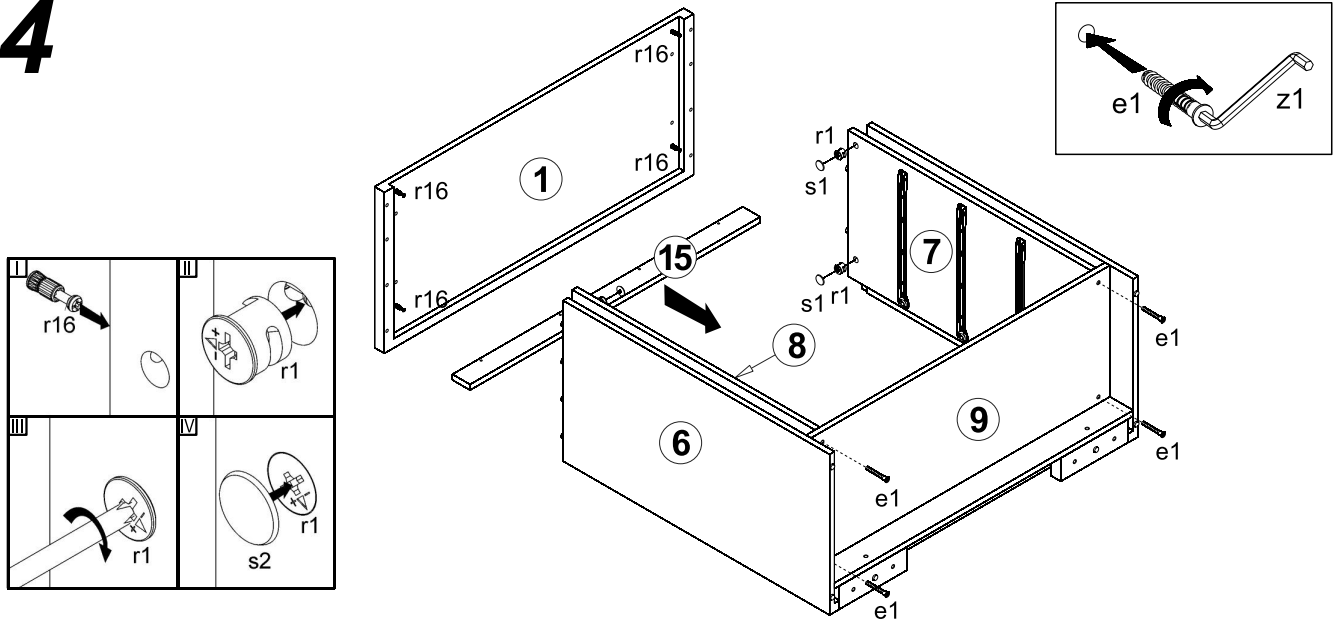
# 2



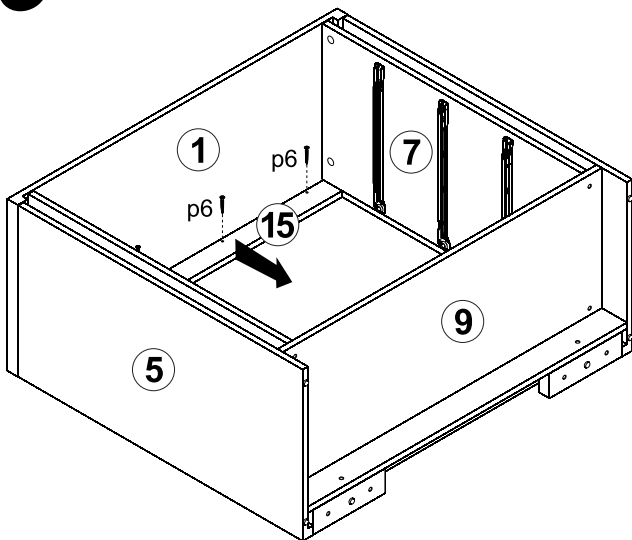
# 3



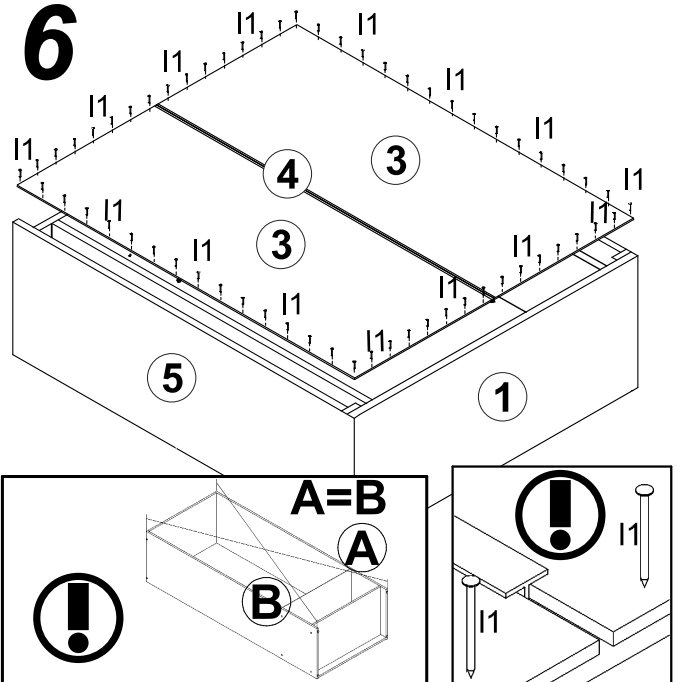
# 4



# 5



# 6



# 7

